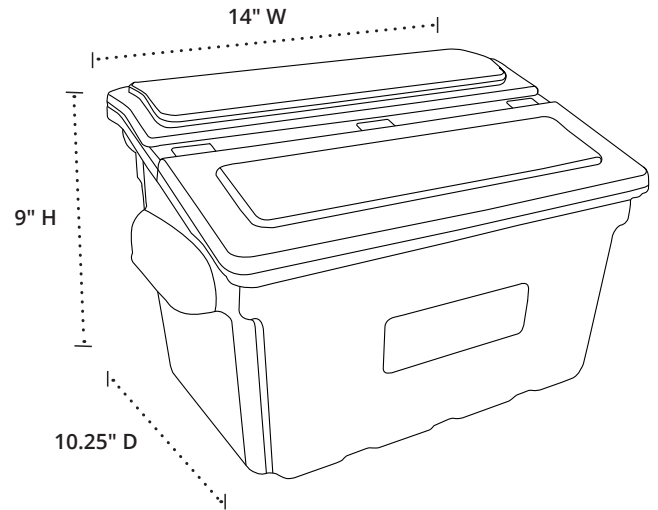


# OUTRIGBIN-2PK

## OUTRIGGER UTILITY CART BIN 2-PACK

### Product Specifications

<b>Item Number</b>	<b>OUTRIGBIN-2PK</b>
<b>Material</b>	Injection molded polypropylene
<b>Color Options</b>	Black
<b>Overall Dimensions</b>	10.25" D x 14" W x 9" H
<b>Mounting Lip Dimensions</b>	5/8" D x 13" W x 6/8" H
<b>Weight</b>	4.85 lbs.
<b>Interior Capacity</b>	3 gallons
<b>Weight Capacity</b>	25 lbs.
<b>Grab Handles</b>	One of each side
<b>Includes:</b>	2 bins, 2 lids
<b>Shipping Method</b>	Ground
<b>Shipping Carton Dims</b>	1 carton: 16" W x 11" D x 15" H
<b>Shipping Weight</b>	7 lbs.



**To Order, Call Your Sales Representative  
or 800-323-4656**